

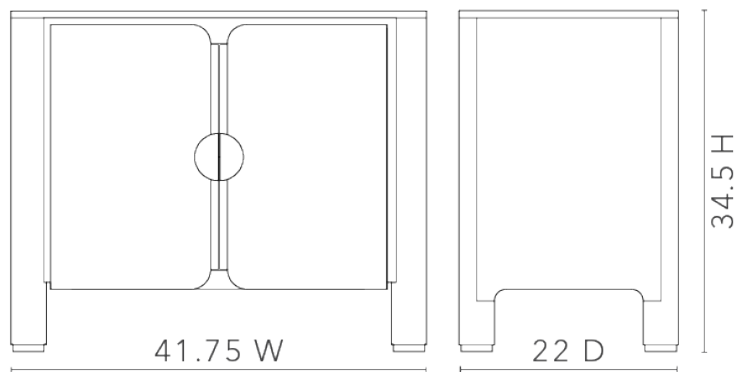


Nolan Cabinet, Pristine Oak

NOL-200-690

41.75w x 22d x 34.5h

Clear Lacquered European White Oak Wood
& Veneers



SCAN IT FOR MORE DETAILS

VILLA & HOUSE
www.VandH.com